

March 18, 1947.

H. SMITH

2,417,786

POCKET SHIELD OR PROTECTOR

Filed June 3, 1943

Fig. 1.

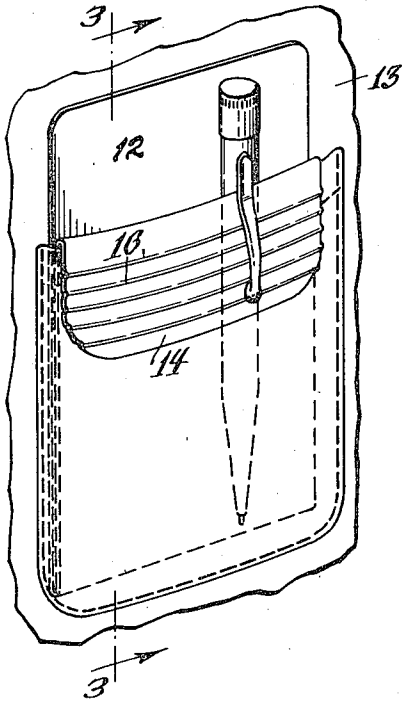


Fig. 2.

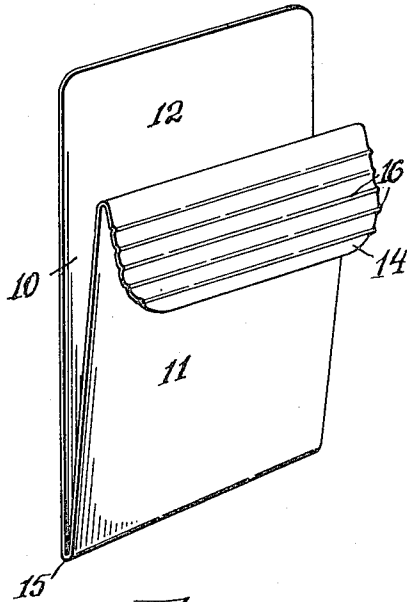


Fig. 4.

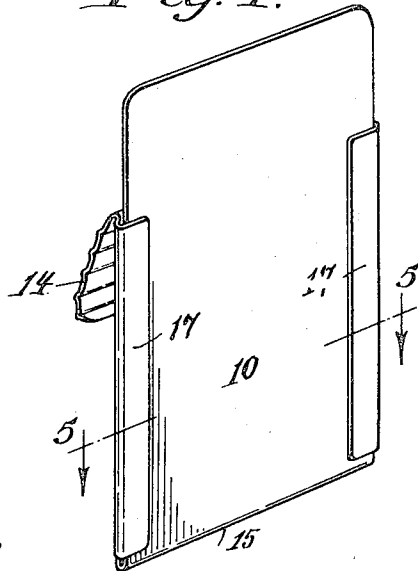


Fig. 3.

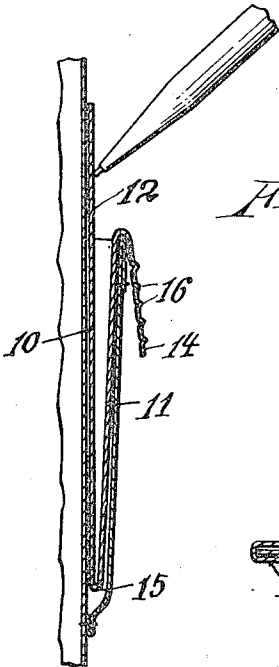
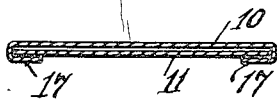


Fig. 5.



INVENTOR  
*Hurley Smith,*  
BY  
*Parker, Prochnow & Farnes*  
ATTORNEYS

# UNITED STATES PATENT OFFICE

2,417,786

## POCKET SHIELD OR PROTECTOR

Hurley Smith, Buffalo, N. Y.

Application June 3, 1943, Serial No. 489,431

1 Claim. (Cl. 2—250)

1

This invention relates to an improved pocket shield, guard or protector of relatively stiff, thin sheet material which is of a form and construction adapting it to be placed and removably retained upright in the pocket of the user's shirt, blouse or other garment, and which comprises portions that overlie or cover the edge and adjacent portion of the front or outer wall of the pocket and also the outer surface portions of the garment at and adjacently above the pocket opening or entrance, so as to prevent such portions of the garment from being marked, disfigured or soiled by pencils or other more or less analogous articles or the fingers of the user in placing such articles in and removing them from the pocket. The device is particularly desirable for use as a protector for keeping clean the shirts of workers in factories and other places where the worker has to repeatedly use a pencil or the like and therefore has to have it readily available while he may be engaged in other tasks on which his hands may become soiled or greasy, and thus make it difficult for him to use the pencil as required and, nevertheless maintain a desired neat and cleanly appearance of the shirt or garment having the pocket in which the device is used.

A particular object of my invention is to provide a practical and desirable shield or protector of the character mentioned which is of novel, but exceedingly simple and inexpensive construction, is of light weight and is inconspicuous and not a disfigurement to the garment with which it is used.

Further objects and advantages of the invention will appear from the following specification of the preferred embodiments of the invention, shown in the accompanying drawings, and the novel features of the invention are set forth in the appended claim.

In said drawings:

Fig. 1 is a perspective view of a shield or protector embodying my invention in place in the pocket of a garment and showing a pencil in place in the pocket and shield.

Fig. 2 is a perspective view of the shield removed.

Fig. 3 is a sectional elevation of the shield and pocket on line 3—3, Fig. 1, and indicating a pencil about to be placed in the pocket.

Fig. 4 is a perspective view of a shield of slightly modified construction as viewed from the rear.

Fig. 5 is a transverse section thereof on line 5—5, Fig. 4.

2

The shield or protector comprises connected opposed or rear and front relatively flat or plain upright walls or leaves 10 and 11 of sheet material, the shield preferably being of a size and shape adapting it to be readily slipped into and fit in the pocket of the garment so as to be retained upright therein against undue shifting about or displacement without the need for any special or added fasteners or securing means. The upper end portion 12 of the rear leaf 10 projects out of the pocket above the upper edge or opening or entrance of the pocket so as to cover and protect that portion of the outer surface or front of the garment 13 at and extending a substantial distance above the pocket entrance, and the other or front leaf 11 of the shield is folded to form a downwardly extending flap 14 that covers the top edge and adjoining upper portion of the front or outer wall of the pocket. Thus, when placing a pencil, for instance, point downward, in the pocket, the lead point of the pencil can be placed against the upper projecting portion 12 of the rear leaf, as indicated in Fig. 3, and will be guided by it into the pocket between the leaves of the shield, and neither the pencil nor the user's fingers will contact with and mark or soil the covered or shielded portions of the pocket or garment. By preference, the rear leaf projects out of or above the top of the pocket at least as high as the pencil or other articles which are placed in the pocket would normally project above the pocket, so that neither such projecting portion of the article nor the user's fingers when removing or inserting the article, will contact with the portion of the garment located back of the projecting portion of the article.

Preferably, as shown in the drawings, the shield or protector is made from a single elongated or rectangular strip of suitable relatively thin sheet material which is folded transversely upon itself at 15 so as to form rear and front leaves 10 and 11 connected to each other at the bottom of the shield, and a front flap 14, which extends from the top of the front leaf 11 downwardly over the upper edge of the pocket. Transparent or translucent Cellophane, Celluloid or analogous sheet material is a desirable material from which to make the device. Such material, while being thin and light, yet has sufficient stiffness to retain its flat shape and stand upright in the pocket without being secured to the garment, and being nearly transparent, the color of the garment will show through the material and therefore make the shield nearly in-

3

visible and inconspicuous, as there will be less contrast in appearance between the garment and the shield. However the shield can be made of other relatively stiff but thin sheet material which, preferably should harmonize more or less in color or appearance with the garment with which it is to be used. The shield thus formed being of such light weight and yet of such stiffness as to be self shape-retaining, will tend to hold the pocket, even of a shirt of light-weight material, in shape and prevent it from bagging or sagging out of shape and detracting from the neat appearance of the shirt or garment.

The flap 14 and front leaf 11 of the shield embrace between them the upper edge portion of the pocket front wall so as to aid in retaining the shield in place in the pocket, and owing to their stiffness, these parts of the shield will hold the upper portion of the pocket front wall from bulging outwardly, thereby preserving a neat appearance and lessening the chance of displacement of the shield from its intended position in the pocket, or the falling of articles from the pocket. This action of the flap can be augmented if desired by corrugating or ribbing the flap transversely as shown at 16. No separate or additional fastenings or means for securing the shield in place are required. However, when a pencil or similar article is used which is equipped with the usual clip for retaining it in a pocket or holder, the pencil clip acts to clamp the folded flap 14 of the shield on the upper edge portion of the pocket and thereby firmly retain the shield in place in the pocket. Furthermore, the flap portion of the shield will protect the pocket wall or edge to prevent the clip from wearing or tearing the same. In addition, the corrugations of the flap, cooperating with the holding clip of the pencil or article will reduce the chance of the accidental escape of the article from its place between the leaves of the shield.

In the simplest, lightest and least expensive form of the shield, shown in Figs. 1 to 3 of the drawings, its front and rear walls 10 and 11 are connected only at the bottom of the shield, leaving the side edges of the shield open. If desired however, the front and rear walls can be secured together at their side edges, thus making the shield in the form of a thin case or container which is open at its upper end only, being closed at its bottom and side edges so as to prevent the possibility of pencils or other slender articles from protruding from the container at its sides

4

or bottom and possibly puncturing the garment pocket. This can be done in any suitable way, as for instance, by folding the side margins 17 of one wall over the edges of and cementing or otherwise securing them to the other wall of the shield, as shown in Figs. 4 and 5. Any other appropriate means for securing together the side edge portions of the opposite shield walls could be employed, such for example as eyelet or other fastening elements passing through the side margins of the walls.

I claim as my invention:

A shield which is insertable into a pocket of a garment and which is formed of a single sheet of relatively stiff, thin material of a width slightly less than the width of said pocket and of a length substantially greater than double the depth of said pocket, said sheet of material being folded transversely with respect to its length to provide front and rear panels and form a bottom to protect the bottom of the pocket of the garment, the rear panel extending out of and above the pocket to cover and protect the portion of the garment adjacent and above the pocket opening and the upper end of the front panel being folded downwardly so that it may overlie the upper edge of the pocket to protect the upper portion of the outer side of the pocket of the garment and be engaged by the clips of pencils and the like inserted into the pocket, the material of said shield having a stiffness sufficient to cause said panels to remain upright without attachment to the garment, the side marginal edges of said front and rear panels being free with respect to one another, whereby said panels may lie flat against one another substantially throughout the length of the front panel when the shield is not in use and may readily separate with respect to one another when anything is inserted into the pocket.

HURLEY SMITH.

#### REFERENCES CITED

The following references are of record in the file of this patent:

#### UNITED STATES PATENTS

Number	Name	Date
1,210,734	Walker	Jan. 2, 1917
1,621,826	Burtchaell	Mar. 22, 1927
374,131	Roscoe	Nov. 29, 1887
689,843	Atkins	Dec. 31, 1901
1,092,244	Coolidge	Apr. 7, 1914